

EB 30 (Oil)

EB 43 (Oil)

EB 60 (Oil)

Chillers

3300 – 6500 W

- Robust industry standard
- Fluid cooling with water, water/glycol mixtures and low-viscosity oils
- Steel housing with thick powder coating
- Identical basic housing for oil and water cooling
- Separate cooling circuit and hydraulic circuit
- Equipped with a programmable control module that allows small hystereses of the temperature of the cooling medium
- Integration of project-specific additional components is possible on request



| Data | EB 30 (Oil) | EB 43 (Oil) | EB 60 (Oil) | Unit |
|--|--|---------------------------|---------------------------|-------------------------|
| Part number | Consult Factory | Consult Factory | Consult Factory | |
| Rated voltage ± 10 % | AC 50 Hz / 60 Hz | | | V |
| | 400 / 460 3Ø | | | |
| Cooling capacity (with pump) ¹ | O68/L90 (O20/L32) 10236 / 11260 (3.0 / 3.3) | 14672 / 16037 (4.3 / 4.7) | 20473 / 22179 (6.0 / 6.5) | Btu/h (kW) |
| Flow rate (pump) ² | 2.6 (10) | 6.6 (25) | 6.6 (25) | GPM (l/min) |
| Pressure (head) (pump) | 145 (10) | 145 (10) | 145 (10) | PSI (bar) |
| Ambient temperature range | + 59 ... + 104 / + 15 ... + 40 | | | °F / °C |
| Control range (refrigerant outlet temp.) | +68 ... +95 / +20 ... +35; factory setting +79 / +26 | | | |
| Target value tolerance | ± 2.0 | | | K |
| Refrigerant type | R404a | | | |
| Power consumption | O68/L90 (O20/L32) 2.38 / 2.73 | 3.08 / 3.55 | 3.00 / 3.72 | kW |
| Current consumption | O68/L90 (O20/L32) 5.17 / 5.9 | 7.18 / 7.48 | 5.44 / 5.76 | A |
| Starting current | O68/L90 (O20/L32) 19.5 / 21.5 | 20.9 / 23.2 | 29.5 / 31.5 | A |
| Control voltage | 24VAC | | | V |
| Volumetric air flow external | 1177 (2000) | | 1766 (3000) | CFM (m ³ /h) |
| Tank volume | - | | | GAL (l) |
| Connections (medium) IG | 3/4" | | | NPT |
| Noise level (according to EN ISO 3741) ³ | < 66 | | < 70 | dB(A) |
| Weight (without packaging) | 209 (95) | 265 (120) | 331 (150) | lb (kg) |
| System of protection (enclosure electrical components) | IP 56 | | | |
| Color ⁴ | RAL 7035 | | | |

| Accessories | | |
|---------------------------|-------------------------------|----------------------|
| Overflow Valve (Internal) | 0.5° K Temperature Stability | Viton Pump Seal |
| Low Flow Monitor | Min. / Max. Temperature Alarm | High Pressure Pump |
| Tank Level Monitor | Ambient Differential Control | Stainless Steel Pump |
| Aluminum Condenser Filter | Casters | 10 Pole Harting Plug |

¹ cooling capacity incl. power loss in the pump, water outlet temperature + 64 °F (18°C), ambient temperature + 90 °F (32 °C)

² performance data based on 50 Hz operation

³ open-air measurement at a distance of 39.37" (1 m)

⁴ different colors on request

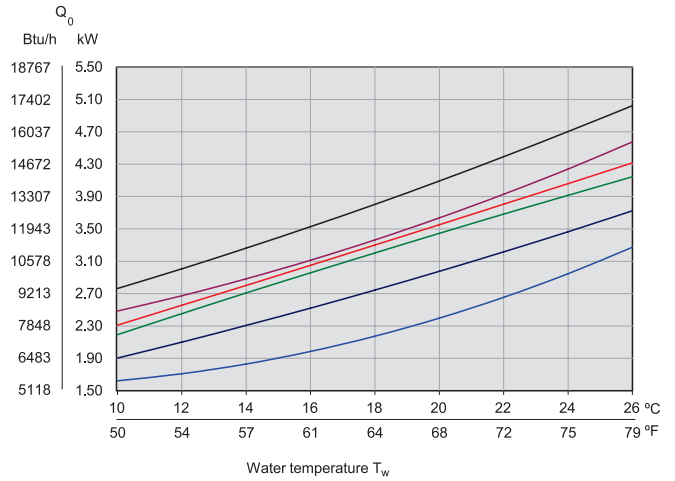
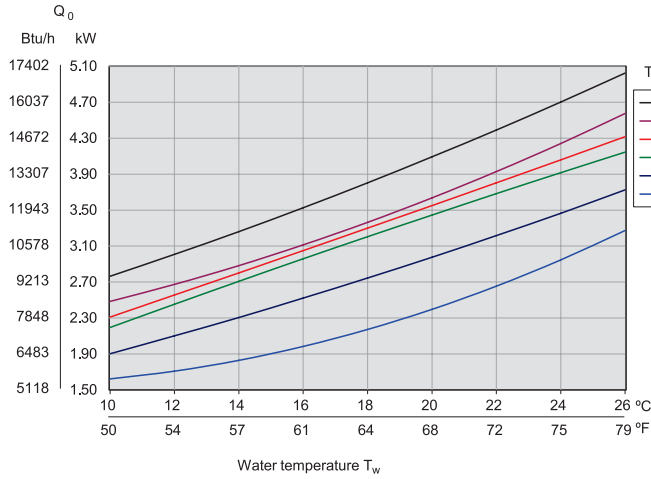
Approvals see page 114

1 Ton = 12,000 Btu/h = 3517 Watts = 1 Ton

Cooling Capacity Performance Curves

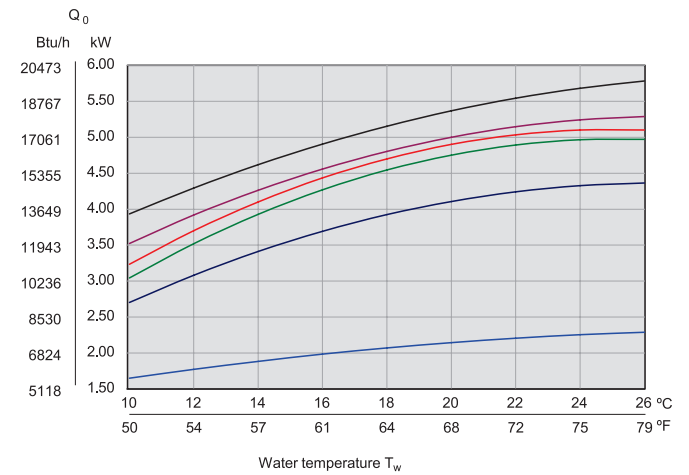
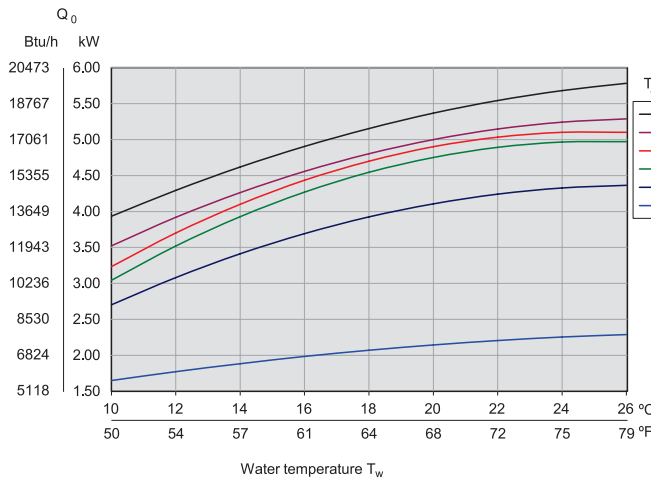
EB 30 Oil (230 V 60 Hz)

EB 30 Oil (460 V 60 Hz)

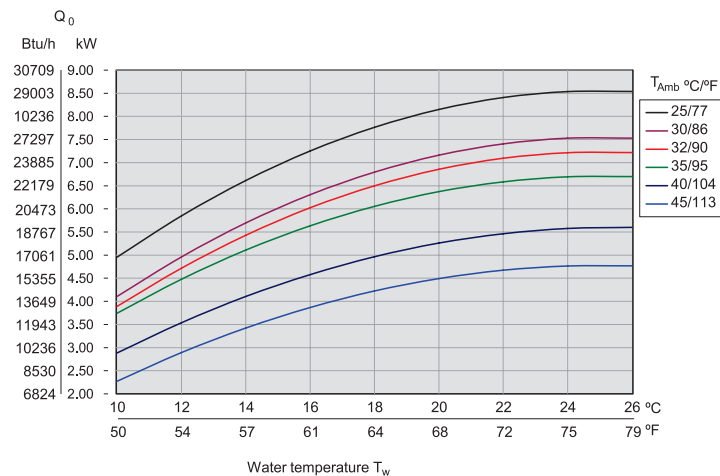


EB 43 Oil (230 V 60 Hz)

EB 43 Oil (460 V 60 Hz)



EB 60 Oil (460 V 60 Hz)

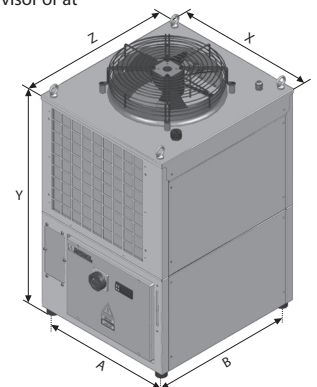


Dimensions

| inches (mm) | EB 30/43/60 WT |
|-------------|---------------------------|
| X | 21.85 (555) |
| Y | 37.60 (955 ²) |
| Z | 24.02 (610) |
| A | 19.48 (495) |
| B | 21.65 (550) |

¹ The performance curves for the 50 Hz version can be obtained from your Pfannenberg advisor or at www.pfannenberg.com

² incl. fan



1 Ton = 12,000 Btu/h = 3517 Watts = 1 Ton