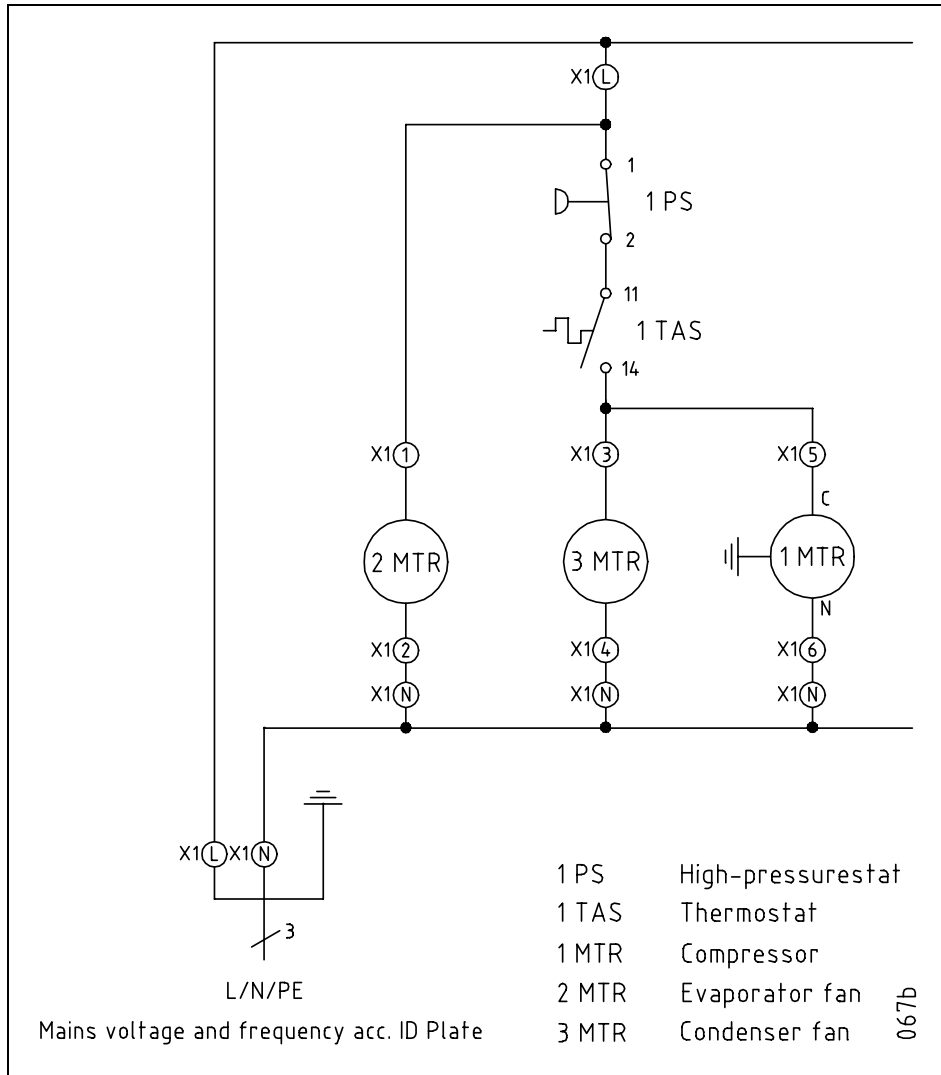


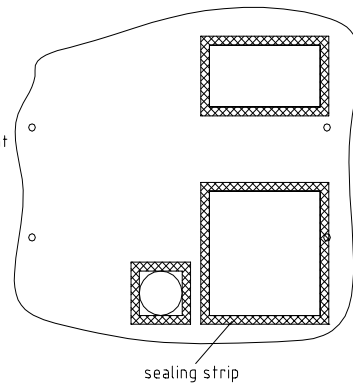
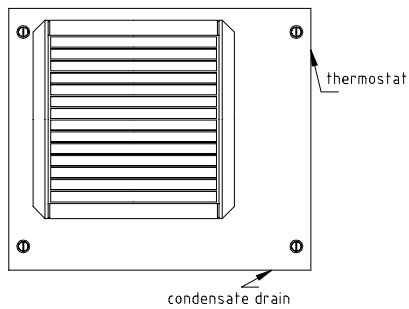
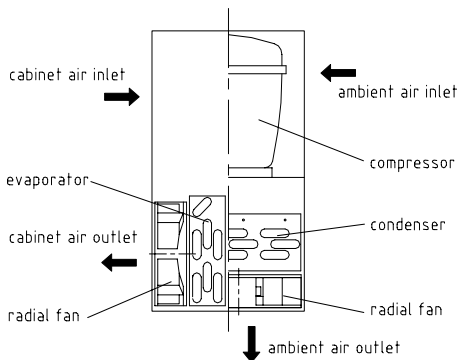
**Circuit Diagram**



**Airflow Principle**

**Sealing**

(front view enclosure)



# DTS 1200 – 230V

## Technical Data - Series DTS 1200

Model	DTS 1200
<b>Cooling data</b>	
Rated capacity at ambient 24°C (A75°F) / internal 35°C (A95°F) *	350 W / 1200 BTU/h
Rated capacity at ambient 35°C (A95°F) / internal 35°C (A95°F)	150 W / 520 BTU/h
Refrigerant type *	R 134a
Refrigerant charge *	280 g / 10 oz
Adjustable thermostat setting (factory set)	+35°C / +95°F
Permissible min./max. ambient air temperature	+8°C to +52°C / +46°F to +125°F
Air volume unrestricted, external circulation	390 m³/h / 230 ft³/min
Air volume unrestricted, internal circulation	180 m³/h / 106 ft³/min
Condensate discharge	direct via tube
Noise level (1m / 3.29 ft distance)	≤ 62 dB(A)
<b>Electrical data</b>	
Rated voltage *	230 V
Mains frequency *	50 / 60 Hz
Operating range (IEC 60038)	207 V...253 V
Power consumption *	200 W
Nominal current *	1,3 A
Starting current *	9,5 A
Line cord	3-lines cable (ca. 2m / 6.59ft)
EMI/RFI suppression	CE
<b>Dimensions</b>	
Height	330 mm / 13 inch
Width	375 mm / 14.76 inch
Depth	190 mm / 7.48 inch
Weight	18 kg / 40 lb
Unit orientation for installation and storage	Vertical
Exterior case construction	sheet steel
Corrosion protection	galvanized, electrostatically powder coated: RAL 7032, BAKE (200°C / 392°F) ANSI 61, BAKE (163°C / 325°F)
Protection classification	IP 54 against the enclosure (EN 60529), under correct operating conditions  IP 34 against the environment (EN 60529), under correct operating conditions

- ID Plate Information

## Spare parts / Accessories

Please order your spare parts only with the *Pfannenber*g-parts-number.

Internal fan	010 041 715
External fan	010 041 717
Thermostat	030 600 202
Filtermat	015 053 040
Replacement Grill	015 065 040