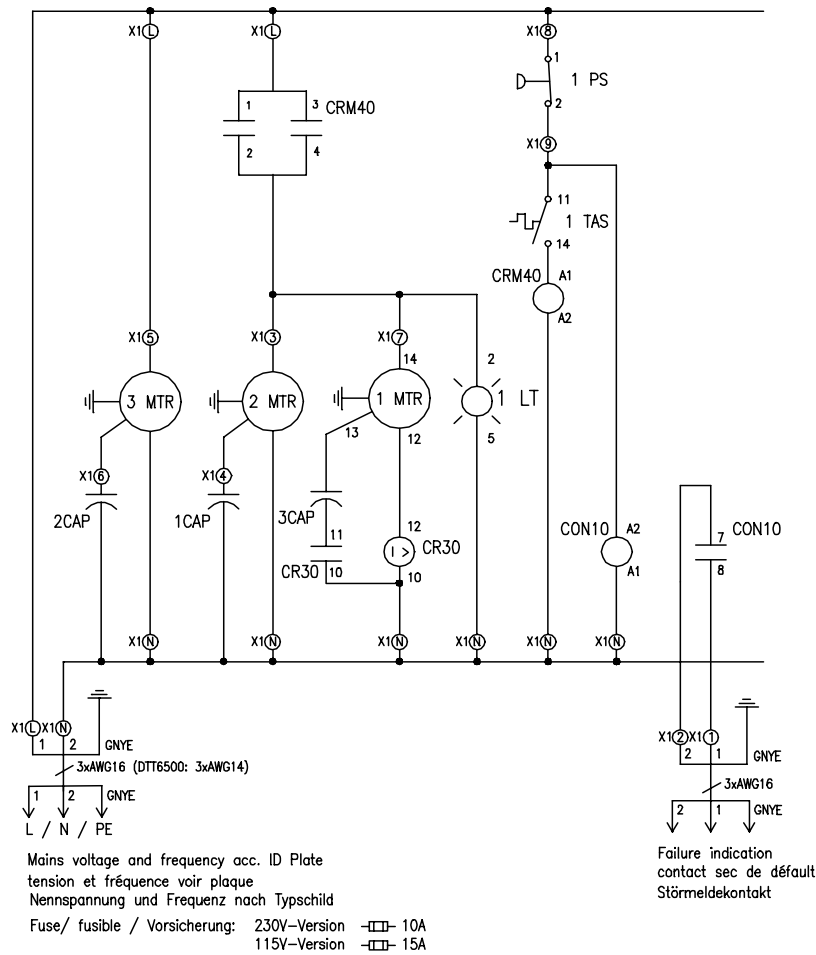


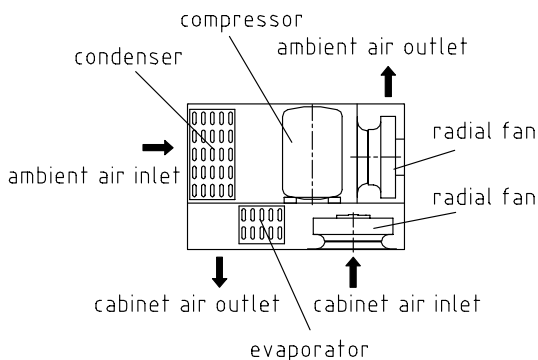
Circuit Diagram



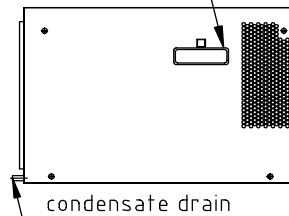
- 1 LT Indicator lamp compressor "on" / témoin compresseur en marche / Betriebsleuchte Verdichter "Ein"
- 1 TAS Thermostat / thermostat / Thermostat
- CAP 1-3 Capacitors / condensateurs / Betriebskondensatoren
- 1 PS High-pressure switch / pressostat haute pression / Hochdruckpressostat
- CON 10 Potential-free-relay NO / contact sec N/O / Potentialfreier Kontakt (Relais), NO
- CR 30 Start-relay compressor / relais de départ du compresseur / Anlaufrelais Verdichter
- CRM 40 Main-relay / relais principal / Hauptrelais
- 1 MTR Compressor / compresseur / Verdichter
- 2 MTR Condenser fan / ventilateur du condenseur / Radialventilator-Verflüssiger
- 3 MTR Evaporator fan / ventilateur de l'évaporateur / Radialventilator-Verdampfer

p390

Airflow Principle

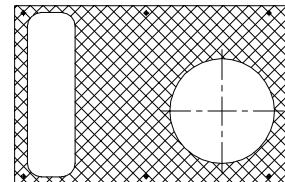


(side view cooling unit)
thermostat (inside)



Gasket

(top view enclosure)



DTT 3500 / 4500 / 6500 - 230V

Technical Data - Series DTT 3500 / 4500 / 6500

Model	DTT 3500	DTT 4500	DTT 6500
Cooling data			
Rated capacity at ambient 24°C (75°F) / internal 35°C (95°F) *	1014 W / 3500 BTU/h	1300 W / 4500 BTU/h	1885 W / 6500 BTU/h
Rated capacity at ambient 35°C (95°F) / internal 35°C (95°F)	820 / 2830 BTU/h	1150 W / 3970 BTU/h	1600 W / 5520 BTU/h
Refrigerant type *	R 134a	R 134a	R 134a
Refrigerant charge *	530 g / 18,7 oz	580 g / 20,5 oz	580 g / 20,5 oz
Adjustable thermostat setting (factory set)	+35°C / +95°F		
Permissible min./max. ambient air temperature	+8°C to +52°C / +46°F to +125°F		
Air volume unrestricted, external circulation	580 m³/h / 341 ft³/min	930 m³/h / 547 ft³/min	930 m³/h / 547 ft³/min
Air volume unrestricted, internal circulation	580 m³/h / 341 ft³/min	930 m³/h / 547 ft³/min	930 m³/h / 547 ft³/min
Condensate discharge	after evaporation direct via tube	after evaporation direct via tube	after evaporation direct via tube
Noise level (1m / 3.29 ft distance)	≤ 63 dB(A)	≤ 66 dB(A)	≤ 72 dB(A)
Electrical data			
Rated voltage *	230 V	230 V	230 V
Mains frequency *	50 / 60 Hz	50 / 60 Hz	50 / 60 Hz
Operating range (IEC60038)	207 V...253 V	207 V...253 V	207 V...253 V
Power consumption *	610 W	840 W	900 W
Nominal current *	3,0 A	5,2 A	6,5 A
Starting current *	9,8 A	18,5 A	19,5 A
Line cord	3 prong N/A plug (ca. 2 m/ 6.59 ft)		
EMI/RFI suppression	CE	CE	CE
Dimensions			
Height	405 mm / 15.94 inch	405 mm / 15.94 inch	405 mm / 15.94 inch
Width	600 mm / 23.62 inch	600 mm / 23.62 inch	600 mm / 23.62 inch
Depth	390 mm / 15.35 inch	390 mm / 15.35 inch	390 mm / 15.35 inch
Weight	40 kg / 88 lb	45 kg / 99 lb	50 kg / 110 lb
Unit orientation for installation and storage	vertical	vertical	vertical
Exterior case construction	sheet steel	sheet steel	sheet steel
Corrosion protection	galvanized, electrostatically powder coated RAL 7032, BAKE (200°C / 392°F) ANSI 61, BAKE (163°C / 325°F)		
Protection classification	IP 54 against the enclosure (EN 60529), under correct operating conditions IP 34 against the environment (EN 60529), under correct operating conditions		

* ID Plate Information

Spare parts / Accessories

Please order your spare parts only with the *Pfannenber*-parts-number.

	DTT 3500	DTT 4500
Internal fan	011 190 600	011 220 600
External fan	011 190 600	011 220 600
Thermostat	030 600 202	030 600 202
Filtermat	015 043 040	015 043 040
Lifting Lugs	18 370 000 000	18 370 000 000