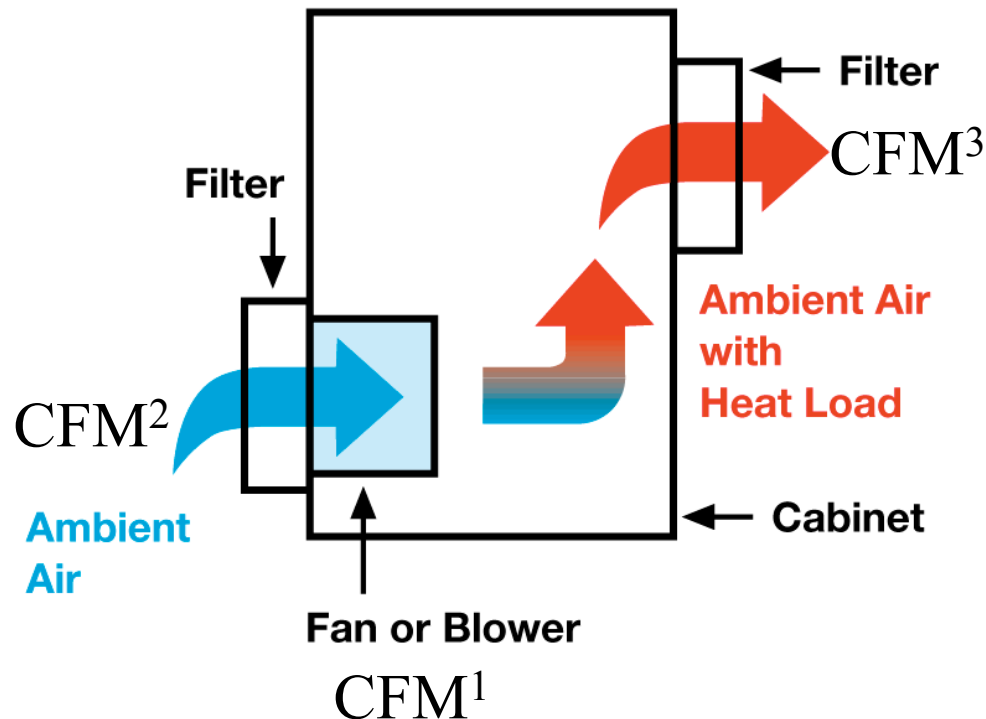


## “How to rate CFM of Filterfans”

### Forced Convection Method Pressurizing



CFM<sup>1</sup> - Fan only rating

CFM<sup>2</sup> - Fan with filter & louvre rating (free flow)

CFM<sup>3</sup> - System rating with exhaust (includes static pressure drop)

Model #	CFM <sup>1</sup>	CFM <sup>2</sup>	CFM <sup>3</sup>
PF 11000	36	17	11
PF 22000	105	38	28
PF 32000	105	65	38
PF 42500	121	94	67
PF 43000	224	169	142
PF 65000	489	297	230
PF 66000	1024	462	295
PF 67000	1250	560	368