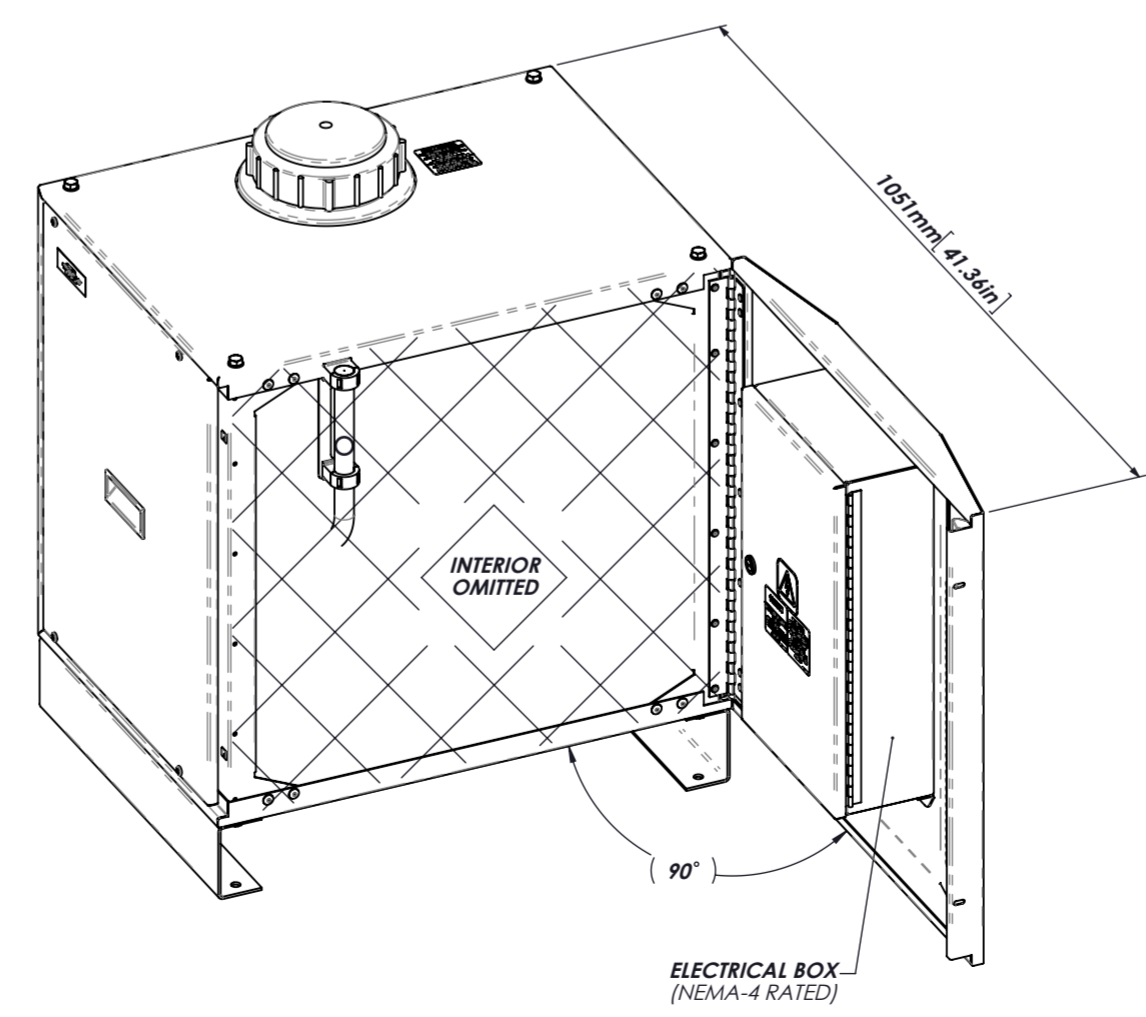
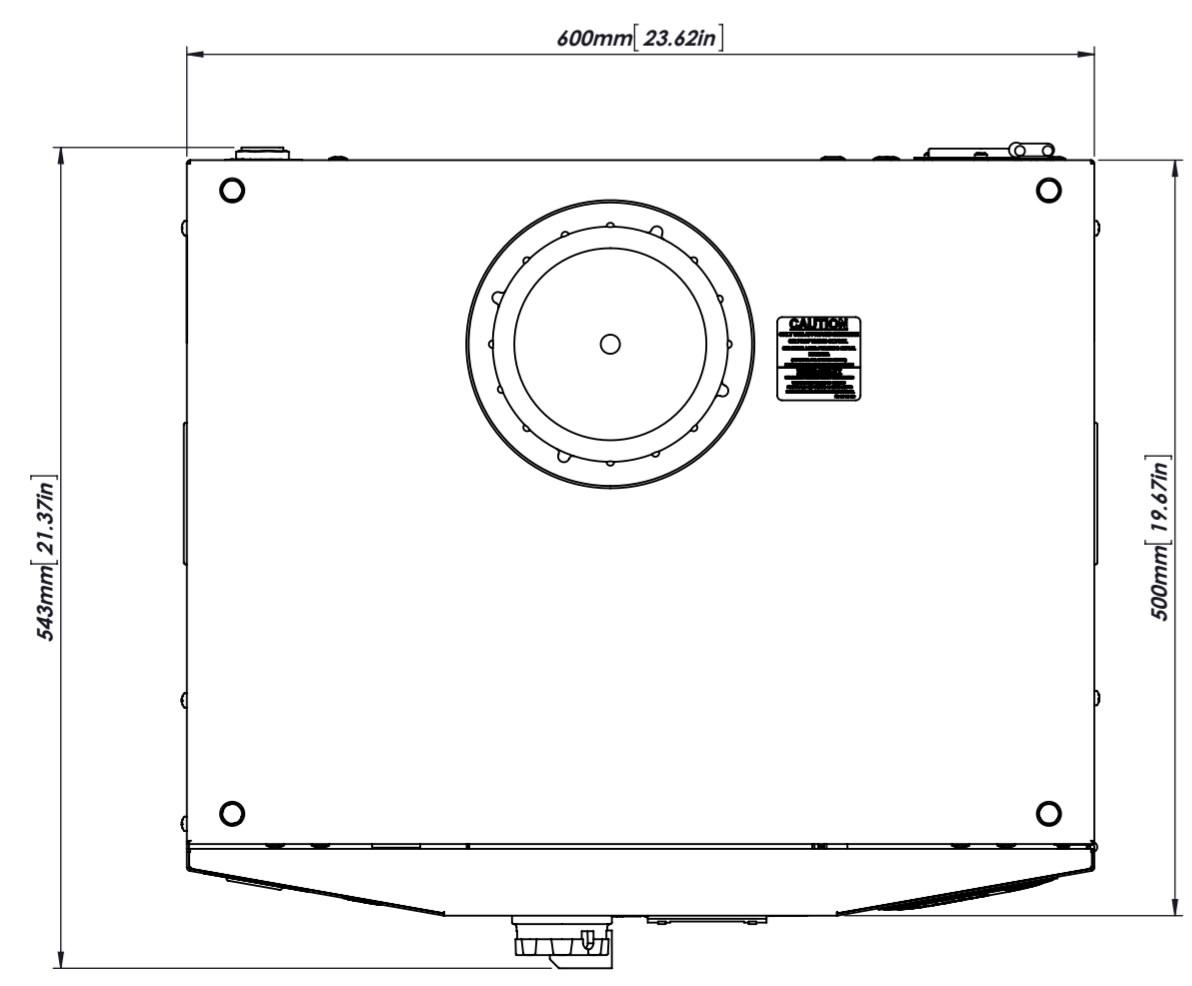
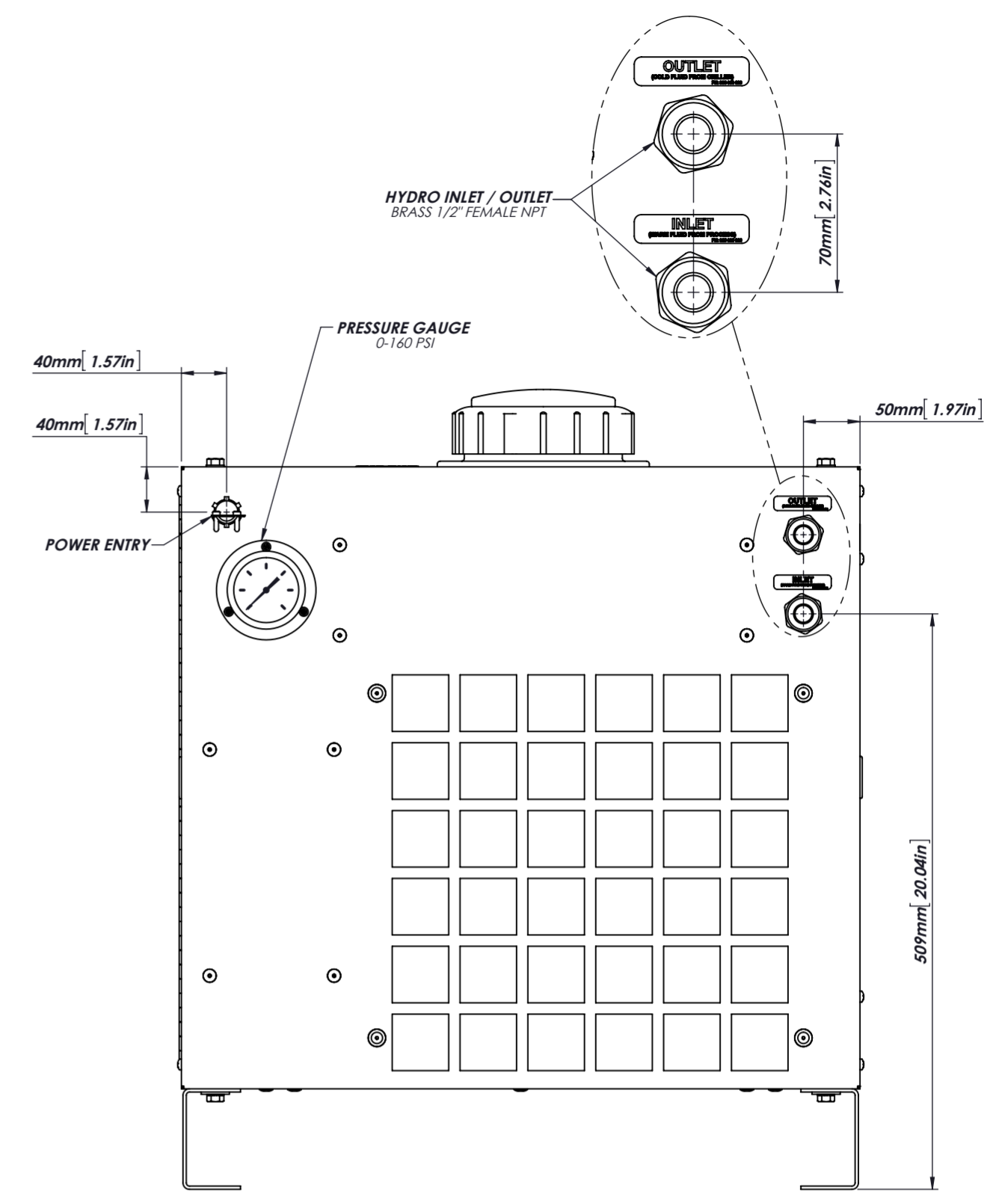
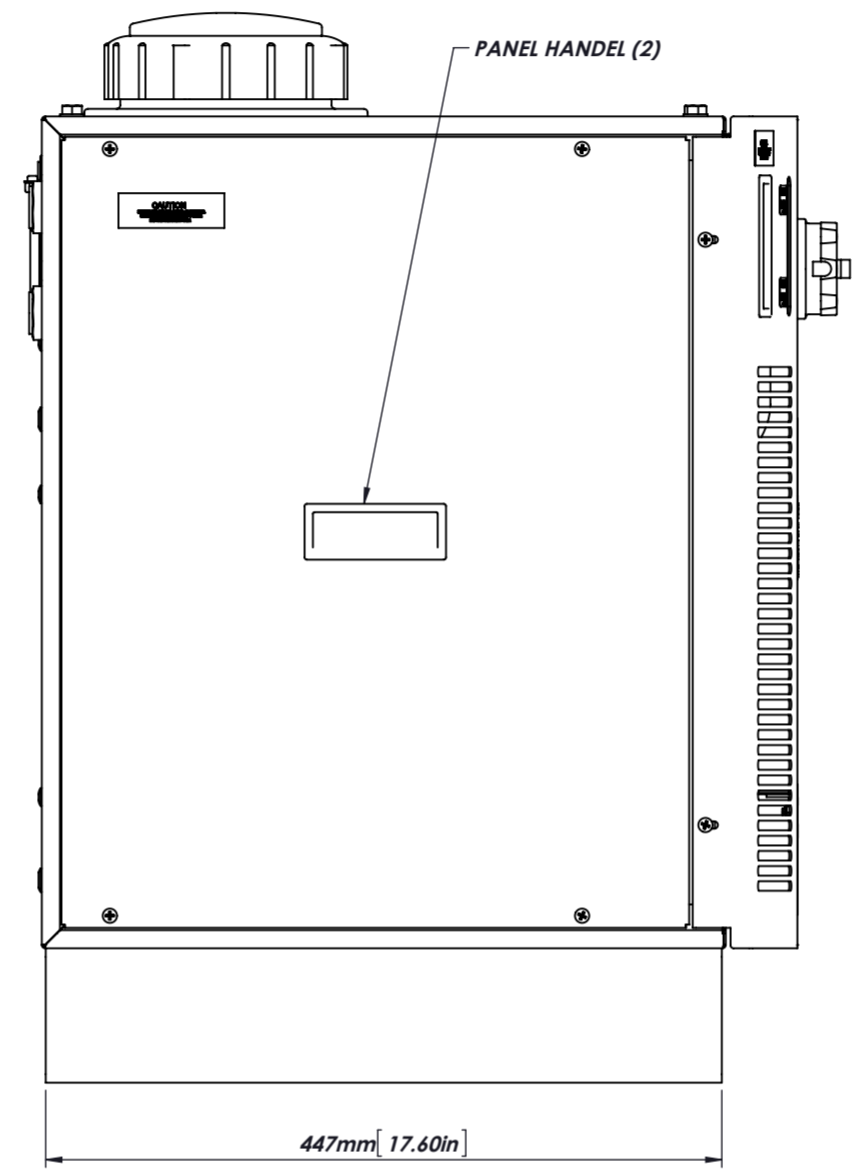
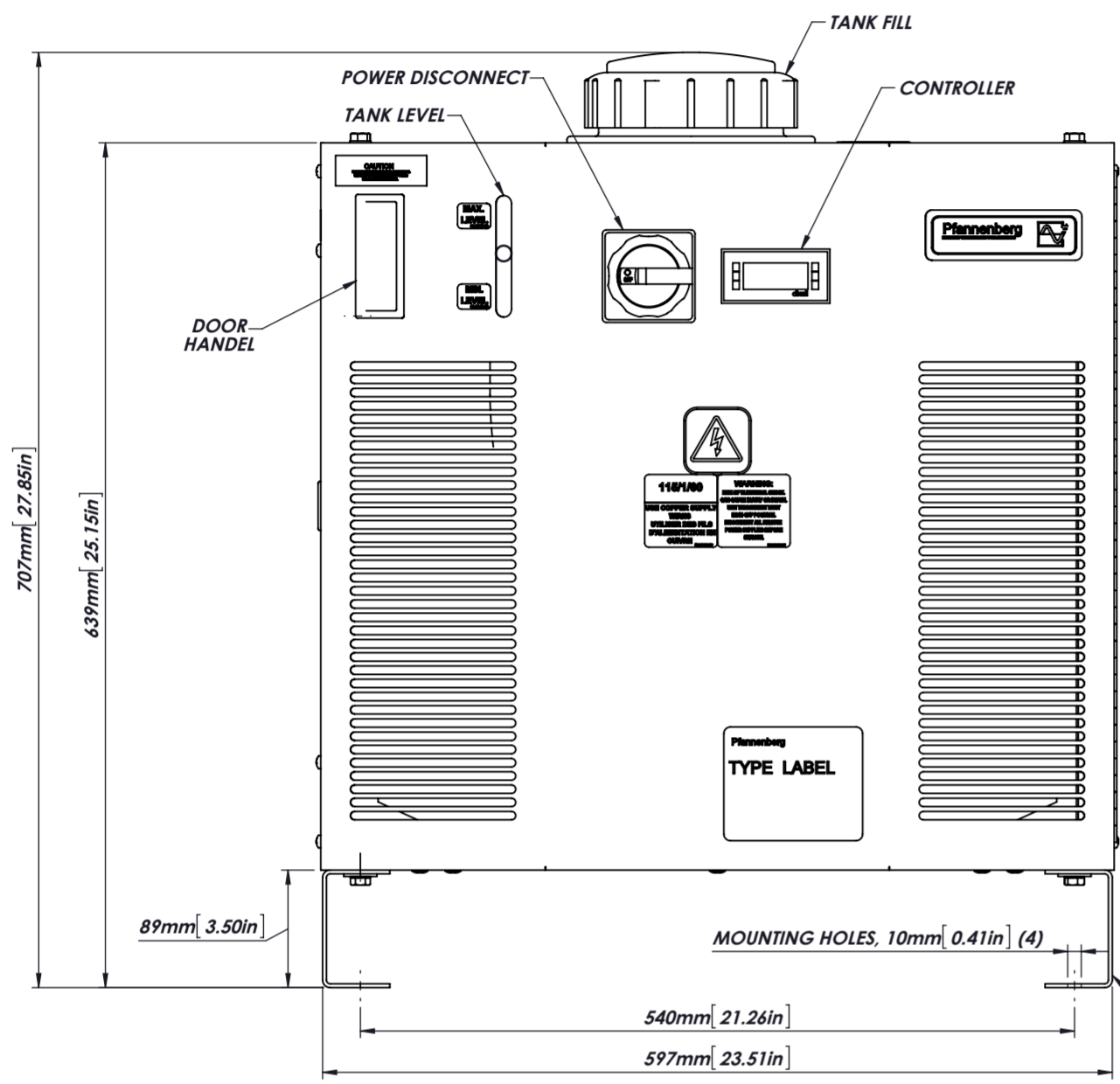


APPLIES TO THE FOLLOWING	
UNIT NUMBER	DESCRIPTION
42630115112	CC6101 WT 115/1/60 (US)
42630115212	CC6101 WT 230/1/60 (US)
42630175112	CC6201 WT 115/1/60 (US)
42630175212	CC6201 WT 230/1/60 (US)
42630245112	CC6301 WT 115/1/60 (US)
42630245212	CC6301 WT 230/1/60 (US)



TANK VOLUME	10 LITERS / 2.7 US GALLONS
EMPTY WEIGHT	90.7 KILOGRAMS / 200 US POUNDS
GA-DRAWING PACKET PART No. 885 501 065	

Unless otherwise noted ~ Drawing views are depicted in First Angle Projection

ISO STANDARD REVISION LABEL ANSI STANDARD REVISION LABEL	Allgemeintoleranzen/ Tolerance ISO 2768-m	Maßstab/ Scale 1:5	Farbe/ Color: Halbzeug/ Semi product: Werkstoff/ Material:	Teil-Nr. Part-No. 885501067
Bemessung/Dimension: mm [inch]				
Benennung/Description: CC-Sm GA DRAWING (US) CC6101 ~ CC6201 ~ CC6301	Datum/Date 3/31/14	Name/Name pic_sk	Ers.f./substituted f.:	
	Gezeichnet/Drawn by SEP/		Ers.d./replaced by:	
	Geprüft/Checked by 4/15/2014	pic_sk		
	Genehmigt/Approved by 4/21/2014	pic_psz		
	Pfannenberg ELECTRO-TECHNOLOGY FOR INDUSTRY		80035-902	
			01- REVISION	
			Blatt/Blätter page/pages 1/1 DIN A2	

Schutzmerk nach DIN 34 und ISO/DIS 16016. Copyright reserved of DIN 34 and ISO/DIS 16016. "Weitergabe und Vervielfältigung dieses Dokuments, Verwertung und Mitteilung seines Inhalts sind verboten, soweit nicht ausdrücklich gestattet. Zuwiderhandlungen verpflichten zu Schadensersatz. Alle Rechte für den Fall der Patent-, Gebrauchsmuster- oder Geschmacksmustereintragung vorbehalten." "The copying, distribution and utilization of this document as well as the communication for its contents to others without expressed authorization is prohibited. Offenders will be held liable for the payment of damages. All rights reserved in the event of the grant of a patent, utility model or ornamental design registration."