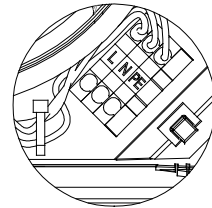
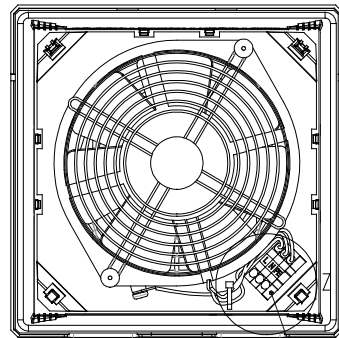
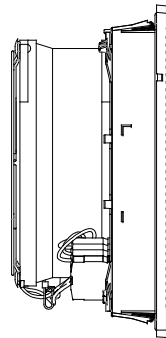
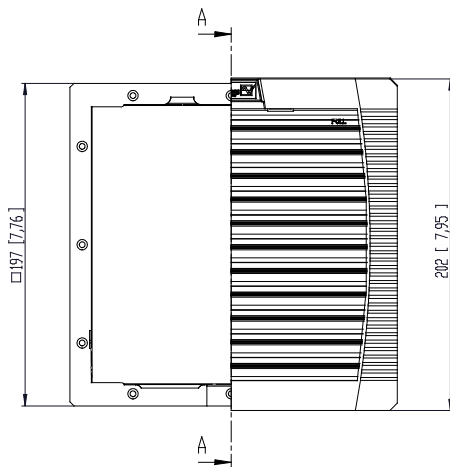
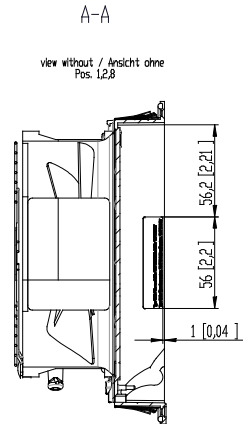


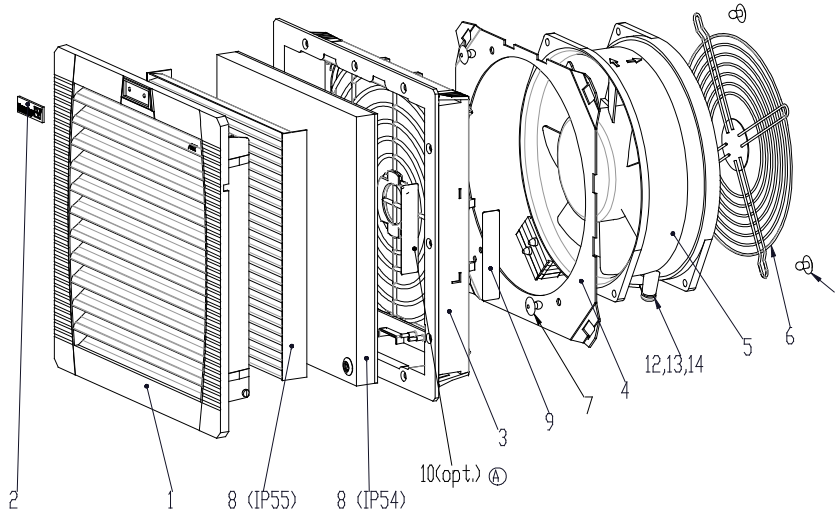
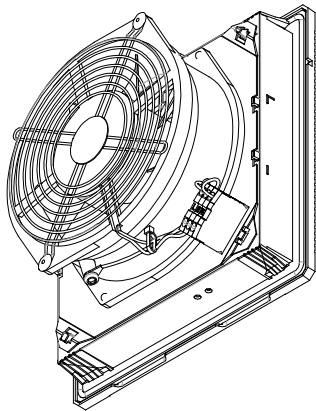
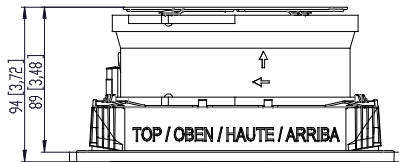
VERSIONEN				
BEREICH	VERSION	BESCHREIBUNG	DATUM	GENEHMIGT
	A		31.08.2009	
	01-A		31.08.2009	



Z
1:1



view without / Ansicht ohne
Pos. 1,2,8



Messung/Dimension mm (inch)		Allgemeintoleranz/ Tolerance ISO 2768-m		Nenn-/ Zust. Drawing/ State Name/Descr. Name/Descr.		1:2		Teil-Nr./ Part No. 11x33xxxxxx	
				Datum/Date 31.07.09	Zeichner EK/ken	Bezeichnung/Description PF 33.000 AC Filterlüfter / filter fan			
						30164-110 01-A			
A	IKAN1242	31.08.09	Edch	Pfanenberg		DIN 9137 Part No. 171		DIN A2	

Copyright reserved of 2009 by Pfanenberg AG
 The design, reproduction and utilization of this document as well as the construction for its contents to others without expressed authorization is prohibited. Pfanenberg AG is held liable for the system of designs. All rights reserved in the event of the grant of a patent, utility model or ornamental design registration.