

Ex Sounder/flashing light combination E2xCS 112-05



- combination device for visual and acoustic alarms
- besides ATEX, UL approval for operational areas of class 1, division 2 is also optionally available
- automatic synchronisation or alternating mode of the flashing light
- extremely intensive light reflection due to 5 Joule xenon flash
- 45 different tones, UKOOA/PFEER conformant
- 2 externally controllable tones
- highly resistant to corrosion and suitable for the toughest environments
- adjustable volume
- extremely resistant to shocks and impacts
- stainless steel protective cage and stainless steel mounting bracket for 360° positioning
- can be operated via common or separate voltage supplies



max. signal reception range



Protection system



Operating temperature

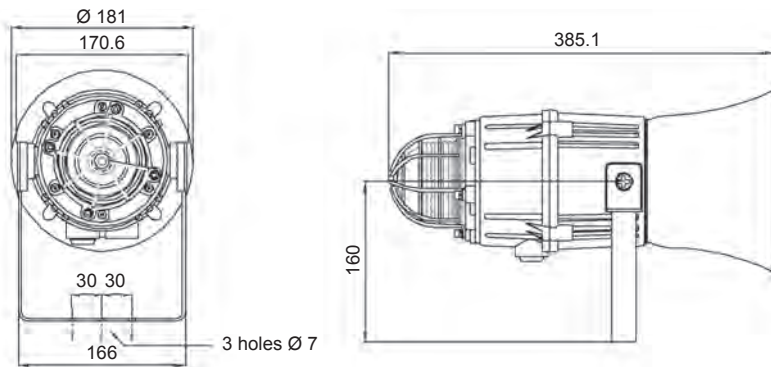
Electrical data		E2xCS 112-05 sounder			
Rated voltage		230 V AC	120 V AC	48 V DC	24 V DC
Rated frequency		50 Hz / 60 Hz	50 Hz / 60 Hz		
Operating range		± 10 %	± 10 %	38 V – 58 V	10 V – 30 V
Nominal current consumption		54 mA	104 mA	146 mA	284 mA
Electrical data		E2xCS 112-05 flashing light			
Rated voltage		230 V AC	120 V AC	48 V DC	24 V DC
Rated frequency		50 Hz / 60 Hz	50 Hz / 60 Hz		
Operating range		± 10 %	± 10 %	42 V – 58 V	20 V – 28 V
Nominal current consumption		30 mA	80 mA	145 mA	275 mA
Mechanical data		E2xCS 112-05			
Explosion protection		II 3G Ex na nL IIC T2 - 20 °C ... + 55 °C Ta II 3G Ex na nL IIC T3 - 20 °C ... + 40 °C Ta			
Category (area of use)		3G (Zone 2)			
Certificate of conformity		DEMKO 06 ATEX 0421554			
Testing body		DEMKO			
Sound pressure level	distance 1 m	110 dB (A) ± 3 dB			
Flash energy		5 Joules			
Flash rate		1 Hz			
Lens colours		clear, yellow, amber, red, green, blue			
Storage temperature		- 50 °C ... + 70 °C			
Relative humidity		90%			
Protection system according to EN 60529		IP 66, IP 67			
Duty cycle		100%			
Service life of the flash tube		light emission still 70% after 8,000,000 flashes			
Material	lens	borosilicate glass			
	housing	UL94VO PPS			
	protective cage and bracket	stainless steel			
Connecting terminals		0.5 ... 2.5 mm ²			
Cable entry		2 x M20 (with 1 blanking plug), optionally PG13.5 or 1/2" NPT			
Weight		AC: 3.5 kg / DC: 3.0 kg			
Ordering details		Options / accessories			

Article numbers		E2xCS 112-05 ATEX		
Lens colour	Rated voltage	230 V AC	115 V AC	24 V DC
red		320 61 10 5 000	320 61 15 5 000	320 61 80 5 000



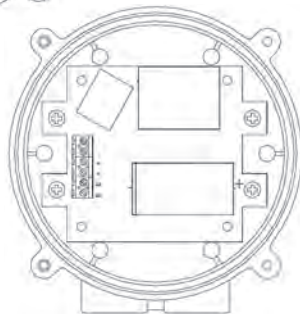
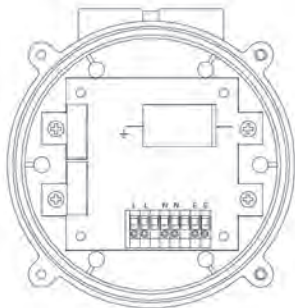
Article numbers for other colours on request

Dimensions



Alarm tone table

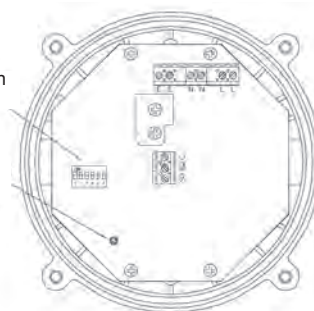
Stage 1	Description - Frequency		Stage 2	Stage 3
tone 1	continuous tone 340 Hz		tone 2	tone 5
tone 2	alternating tone 800 Hz / 1000 Hz, alternation every 0.25 s		tone 17	tone 5
tone 3	slow whoop 500-1200 Hz, switching frequency 0.3 Hz, 0.5 s		tone 2	tone 5
tone 4	sweeping 800 Hz / 1000 Hz, switching frequency 1 Hz		tone 6	tone 5
tone 5	continuous tone 2400 Hz		tone 3	tone 20
tone 6	sweeping 2400 Hz / 2900 Hz, switching frequency 7 Hz		tone 7	tone 5
tone 7	sweeping 2400 Hz / 2900 Hz, switching frequency 1 Hz		tone 10	tone 5
tone 8	sweeping 500 Hz / 1200 Hz / 500 Hz, switching frequency 0.3 Hz		tone 2	tone 5
tone 9	1200 Hz / 500 Hz, 1 Hz – DIN / PFEER P.T.A.P.		tone 15	tone 2
tone 10	alternating tone 2400 Hz / 2900 Hz, switching frequency 2 Hz		tone 7	tone 5
tone 11	interrupted tone 1000 Hz, switching frequency 1 Hz		tone 2	tone 5
tone 12	alternating tone 800 Hz / 1000 Hz, switching frequency 0.875 Hz		tone 4	tone 5
tone 13	interrupted tone 2400 Hz, switching frequency 1 Hz		tone 15	tone 5
tone 14	interrupted tone 800 Hz, 0.25 s signal, 1 s gap		tone 4	tone 5
tone 15	continuous tone 800 Hz		tone 2	tone 5
tone 16	interrupted tone 660 Hz, 150 ms signal, 150 ms gap		tone 18	tone 5
tone 17	alternating tone 544 Hz (100 ms) / 440 Hz (400 ms) – NF S 32-001		tone 2	tone 27
tone 18	interrupted tone 660 Hz, 1.8 s signal, 1.8 s gap		tone 2	tone 5
tone 19	sweeping 1400 Hz – 1600 Hz rising 1 s, falling 0.5 s – NF C 48-265		tone 2	tone 5
tone 20	continuous tone 660 Hz		tone 2	tone 5
tone 21	alternating tone 554 Hz / 440 Hz, switching frequency 1 Hz		tone 2	tone 5
tone 22	interrupted tone 544 Hz, 0.875 s signal, 0.875 s gap		tone 2	tone 5
tone 23	interrupted tone 800 Hz, switching frequency 2 Hz		tone 6	tone 5
tone 24	sweeping 800 Hz / 1000 Hz, switching frequency 50 Hz		tone 29	tone 5
tone 25	sweeping 2400 Hz / 2900 Hz, switching frequency 50 Hz		tone 29	tone 5
tone 26	simulated bell		tone 2	tone 15
tone 27	continuous tone 554 Hz		tone 26	tone 5
tone 28	continuous tone 440 Hz		tone 2	tone 5
tone 29	sweeping 800 Hz / 1000 Hz, switching frequency 7 Hz		tone 7	tone 5
tone 30	continuous tone 300 Hz		tone 2	tone 5
tone 31	siren 660 Hz / 1200 Hz, switching frequency 1 Hz		tone 26	tone 5
tone 32	2-tone bell sound		tone 26	tone 15
tone 33	interrupted tone 745 Hz, switching frequency 1 Hz		tone 2	tone 5
tone 34	alternating tone 1000 Hz / 2000 Hz, alternation every 0.5 s – Singapore		tone 38	tone 45
tone 35	interrupted tone 420 Hz, every 0.625 s – Australian alert		tone 36	tone 5
tone 36	slow whoop 500-1200 Hz within 0.375 s, 0.25 s gap		tone 35	tone 5
tone 37	continuous tone 1000 Hz – PFEER toxic gas		tone 9	tone 45
tone 38	continuous tone 2000 Hz		tone 34	tone 45
tone 39	interrupted tone 800 Hz, 0.25 s signal, 1 s gap		tone 23	tone 17
tone 40	alternating tone 544 Hz (100 ms) / 440 Hz (400 ms) – NF S 32-001		tone 31	tone 27
tone 41	motor siren, slowly rising to 1200 Hz		tone 2	tone 5
tone 42	motor siren, slowly rising to 800 Hz		tone 2	tone 5
tone 43	continuous tone 1200 Hz		tone 2	tone 5
tone 44	motor siren, slowly rising to 2400 Hz		tone 2	tone 5
tone 45	1000 Hz, 1 s signal, 1 s gap – PFEER general alarm		tone 38	tone 34



AC versions

tone selection switch

volume control potentiometer



DC versions

tone selection switch

volume control potentiometer
48V version

volume control potentiometer
12V / 24V version

